



**GAI-TRONICS® CORPORATION**  
A HUBBELL COMPANY

# Model TDN9413A Stat-Alert Signaling Module Kit

## Field Installation Kit Instructions

### Confidentiality Notice

This manual is provided solely as an operational, installation, and maintenance guide and contains sensitive business and technical information that is confidential and proprietary to GAI-Tronics. GAI-Tronics retains all intellectual property and other rights in or to the information contained herein, and such information may only be used in connection with the operation of your GAI-Tronics product or system. This manual may not be disclosed in any form, in whole or in part, directly or indirectly, to any third party.

### General Information

The Model TDN9413A Stat-Alert Signaling Module Kit is intended for upgrading existing dispatch consoles manufactured by GAI-Tronics or for replacement of existing Stat-Alert modules. This kit includes the following components:

Qty	Description
1	MDC-1200 Interface Module
1	Module mounting bracket
1 lot	Hardware and labels

### Installation

#### Desktop Console



Warning: Observe precautions for handling electrostatic sensitive devices.

1. Disconnect power from the Desktop Console and remove all attached cables from the rear cover.
2. Remove the four screws securing the rear panel. Gently pull the rear cover from the housing and disconnect the ribbon cables (SLV-CBL-P) attached to the surge suppression PCBA. Lay the rear panel flat. See Figure 1.

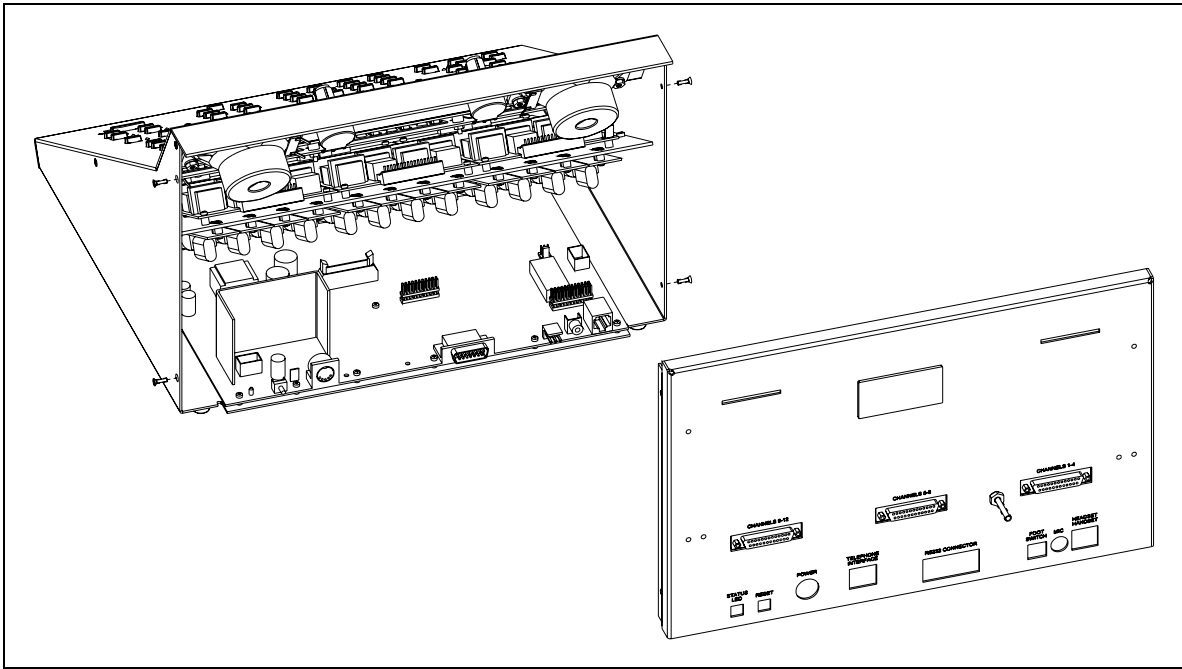


Figure 1.

3. Remove the seven screws securing the top panel and gently lift the cover exposing the attached speaker cable and master display cable. See Figure 2.

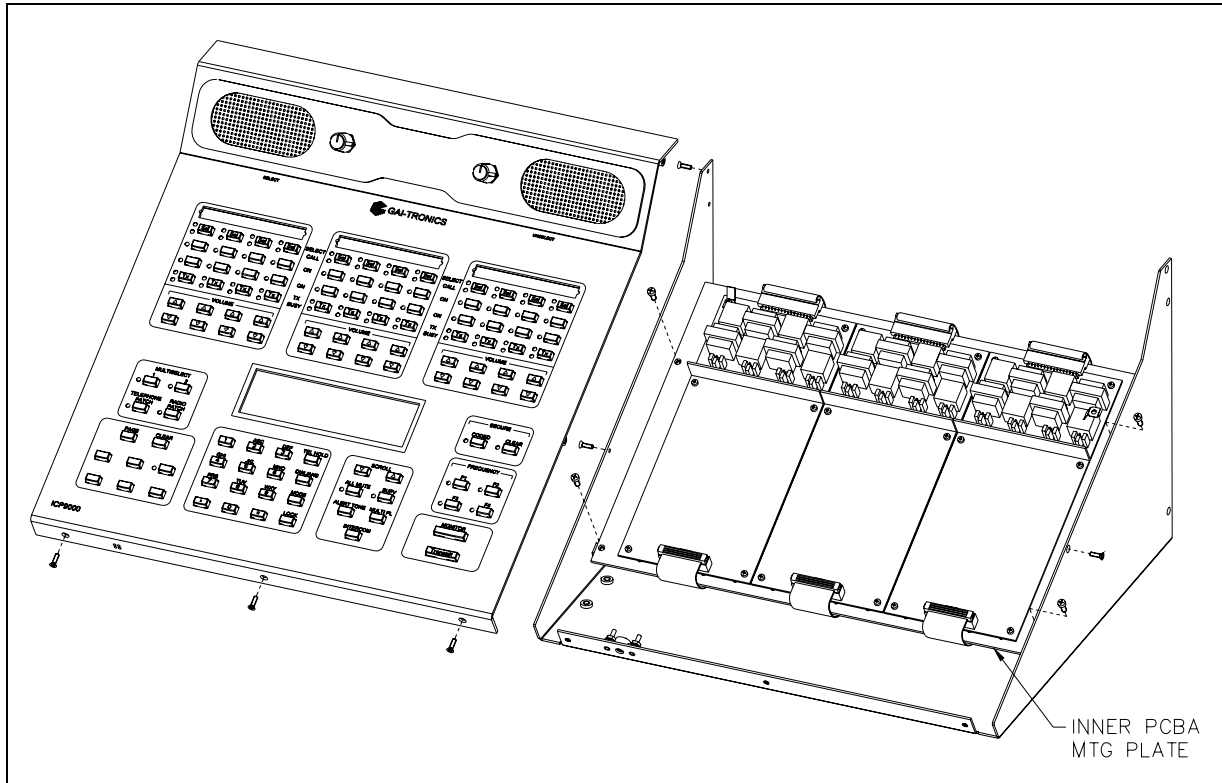


Figure 2.

4. Disconnect the speaker cable at the male-to-female connection point. Unplug the master display cable from the top cover.

5. Remove the four screws attaching the mounting plate to the base. This allows you to remove the mounting plate giving access to the main control PCBA. See Figure 2.
6. Disconnect all of the cables from the main PCBA.
7. Remove the nine screws holding the main PCBA to the base. See Figure 3.

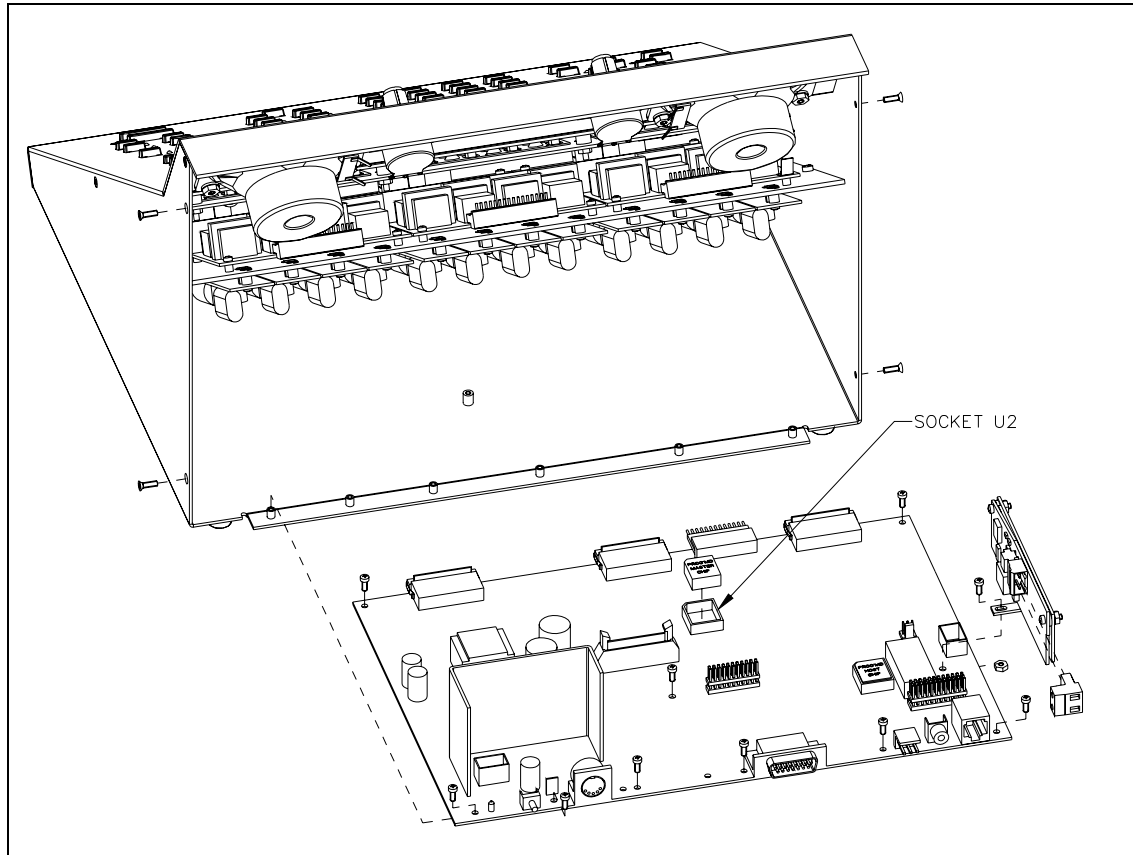


Figure 3.

8. Lift the main PCBA out of the main enclosure. Then, attach the Stat-Alert module to the main PCBA using the hardware provided with the kit. See Figure 3.
9. After the Stat-Alert is attached, you can reassemble the desktop console by reversing the disassembly procedure. Verify that all of the cables have been reconnected back to their respective connectors as you proceed through the steps.
10. Stat-Alert signaling must be programmed with Card Suite Programming Software, using the XCP0170A Programming Cable. Refer to the Card Suite application's Digital Signaling tabs (unit archive) for console, channel, and station/message alias programming.
11. Install button function label to lower left-hand corner of the front panel if buttons are not already labeled.